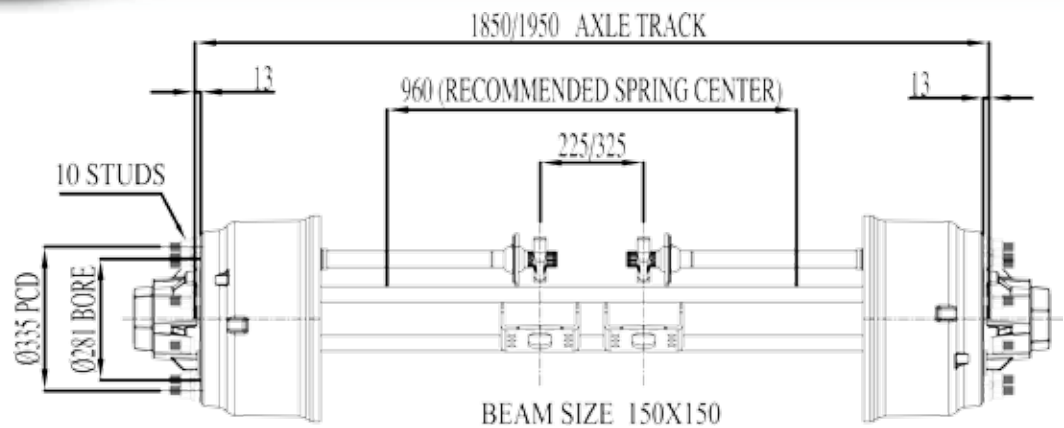
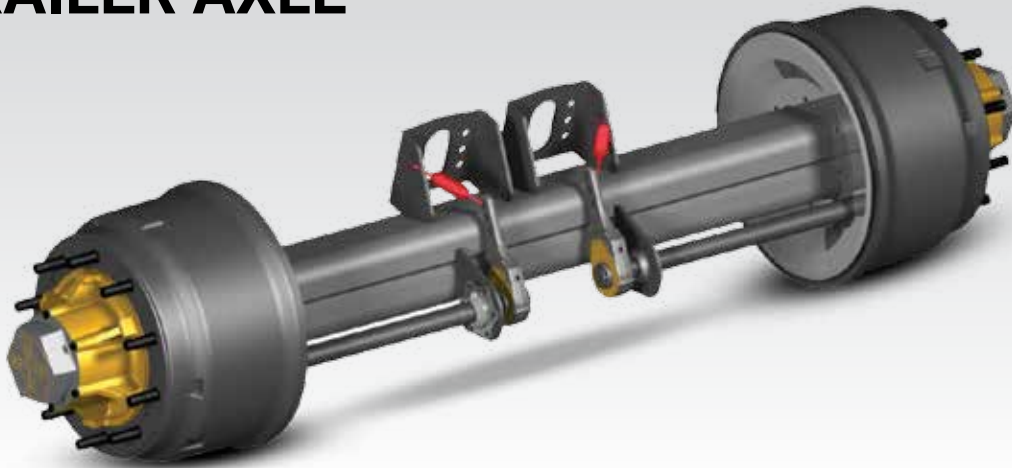




TRAILER AXLES
TRAILER SUSPENSIONS
LANDING GEAR
KING PIN



TRAILER AXLE



BUILT TO LAST

KROSS axles are designed and built to withstand the challenging Indian road and loading conditions. Our designs go through extensive simulation testing and are physically tested and certified by Automotive Research Association of India (ARAI).

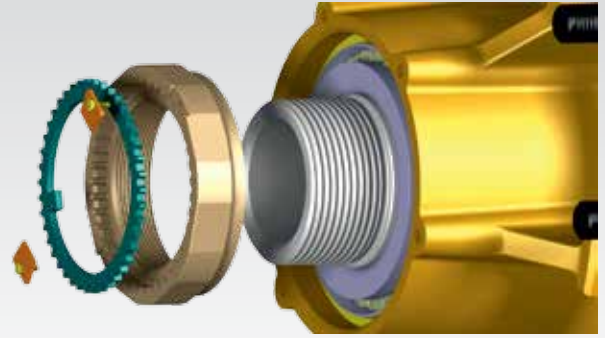
- Heavy Duty Tapered roller bearings for long service life
- Hardened and Ground Spindles
- Lithium Based high performance grease
- 14mm thick Beam for high load carrying capacity



BEARING PRELOAD ADJUSTMENT (BPA) SYSTEM

KROSS axle uses a unique Bearing Preload Adjustment (BPA) system on its wheel-end. Other axle manufacturers use conventional dial measurements or torque based measurements to tighten the wheel nut, reducing tire life and increasing maintenance cost of the axle. Our unique BPA system has the following advantages:

- Improves Tire Life by 30%
- Increase bearing life to 1.5L km
- Increase Wheel-Seal life to 1.5L km
- Hub-Greasing required after 1.5 L km



THREE-PIECE WHEEL-SEAL

Other axle manufacturers use radial seals that have a short service life and are prone to cuts and leakages. Our Three-piece Wheel-seal construction ensures that Hub greasing will not be required before 1.5L km and the bearings will last longer giving our customers a low axle maintenance cost.

SUPERIOR QUALITY

For over 25 years KROSS has been known in the industry for maintaining the highest quality and manufacturing standards. We have taken our rich experience of manufacturing and are producing ALL MAJOR components of the axle, giving us complete control over quality.

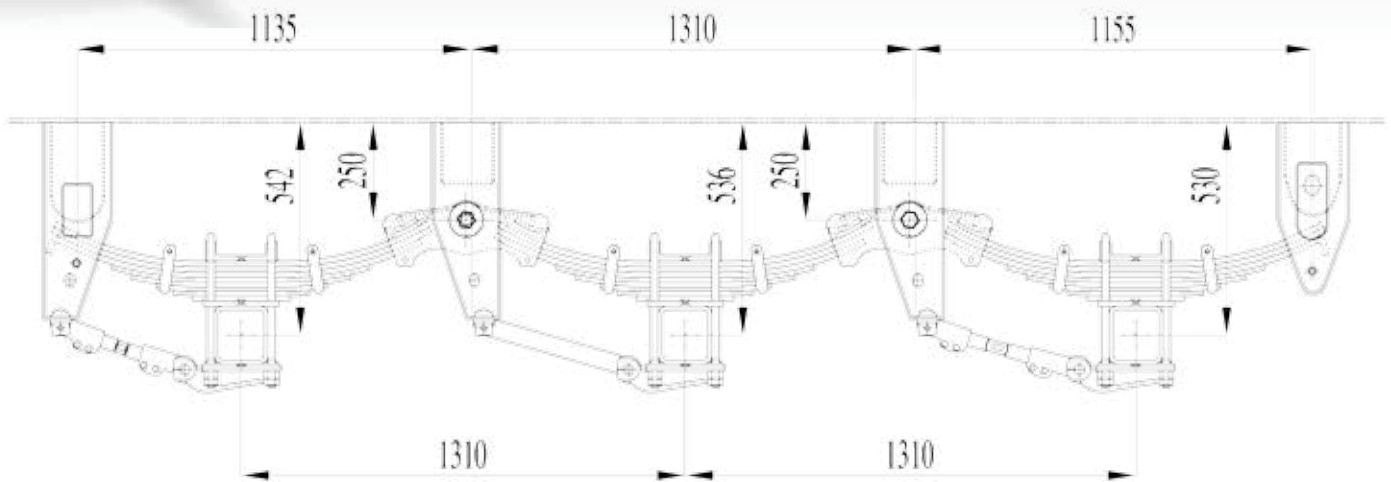
- Submerged Arc welding
- Fully Automatic spindle to beam welding
- Brake liner contact check



TRAILER SUSPENSIONS



Model	K0113	K0116
CAPACITY	13 Ton	16 Ton
Spring Leaf	80mm x 16mm	90mm x 16mm
Equalizer Pin	60 mm OD	70 mm OD
Torque Arm Bush ID	28mm	36mm
U Bolts	M22	M24



KING PIN

- Bolted and Welded type
- Material : EN 19
- Hardness: 36-39 HRC
- D rating: 162 KN
- Tested and verified by ARAI



LANDING GEAR

- Static Capacity: 50 Tons
- Lifting Capacity – 24 Tons
- Two speed Landing Gear
- Compact design with all gears housed inside the tube- protects against damage
- Case carburizing done on all gears
- 40 diameter heavy duty lead screw



ABOUT US

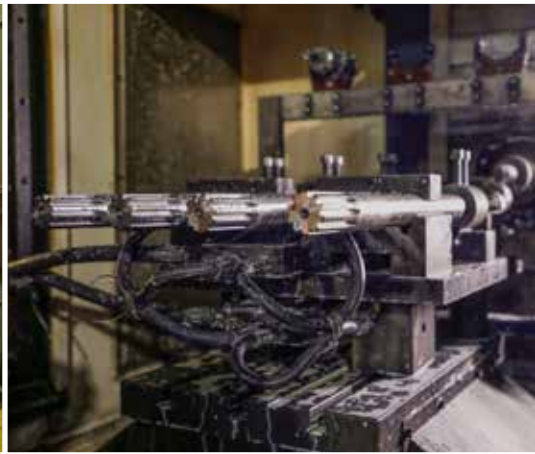
Established in the year 1994, Kross Limited is an acknowledged specialist in manufacturing components for the top OEMs and Tier 1 companies in India and abroad. An organization manned by qualified and highly skilled people with state-of-the-art manufacturing facilities, heat treatment and international levels of quality control, Kross Limited has a built up area of 270,000 sq ft and a strength of 800 employees.

We have used our 25 year experience in manufacturing and design to develop and manufacture a whole range of trailer parts that exceed our customer's expectation. From using the latest design and manufacturing software to validating all critical parts, Kross has excellence built into every product it makes.



OUR CUSTOMER





KROSS LIMITED

M4, Phase VI, Adityapur Industrial
Area, Jamshedpur - 832 108, India

PLANT/OPERATIONS CONTACT

Sumeet Rai

Phone: +91 9204859802

Email: sumeet@krossindia.com

Chandan Kumar Thakur

Phone: +91 7667985347

Email: chandan@krossindia.com